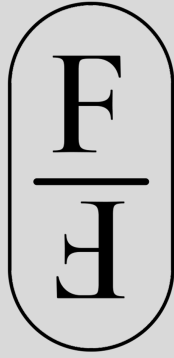
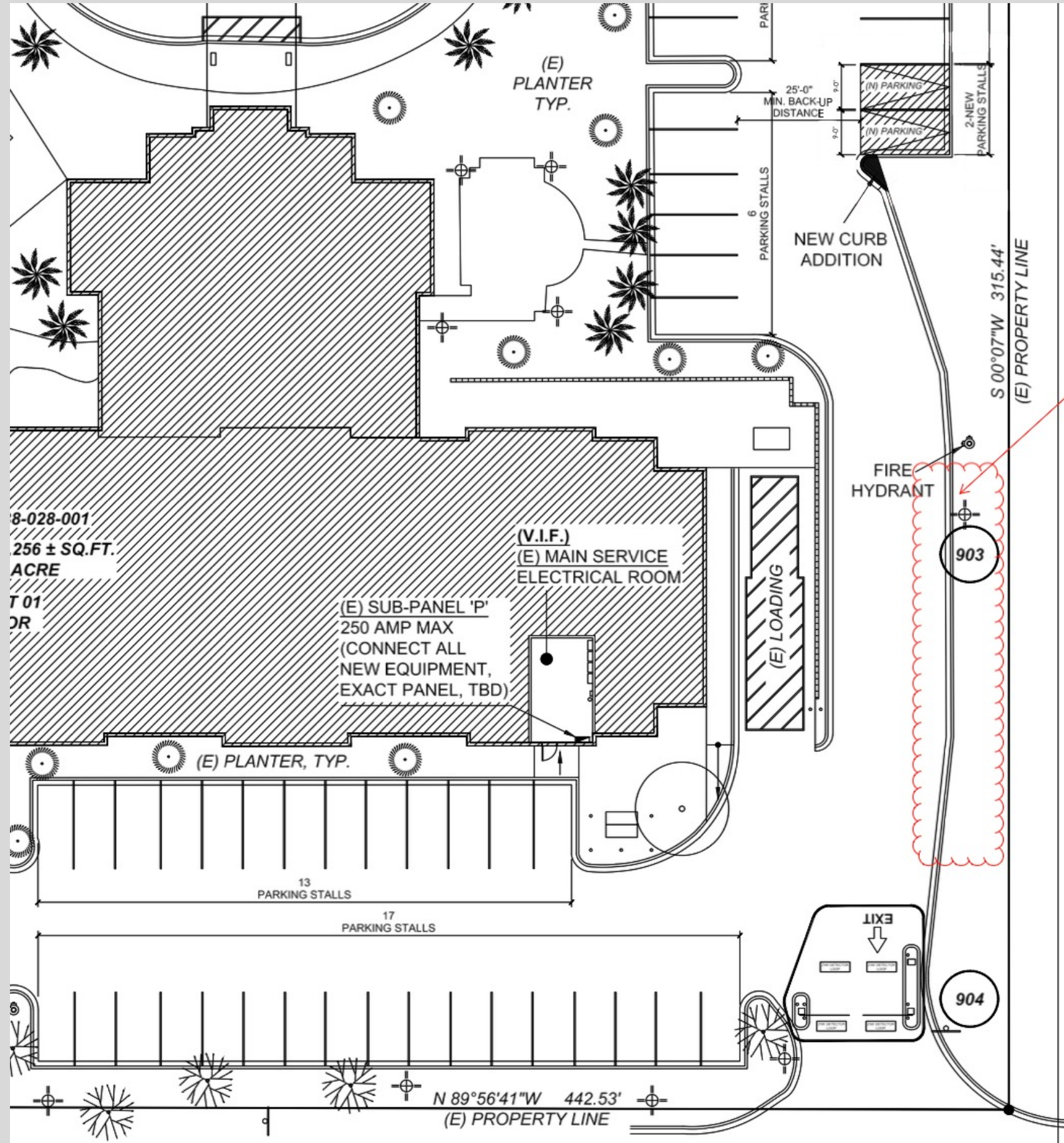


FORMED FOR



FORMED FOR



Art installation

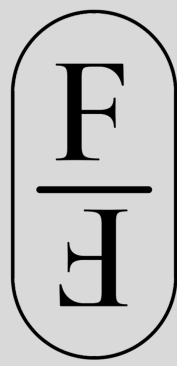
PROJECT:

HILTON
GARDEN INN
EL SEGUNDO, CA

HGI
EL SEGUNDO
PUBLIC AREAS
2100 E MARIPOSA AVENUE
EL SEGUNDO, CA

DRAWN: JTM

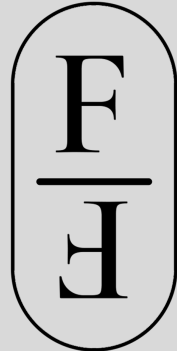
110 W. 11TH STREET SUITE #150 LOS ANGELES CA 900



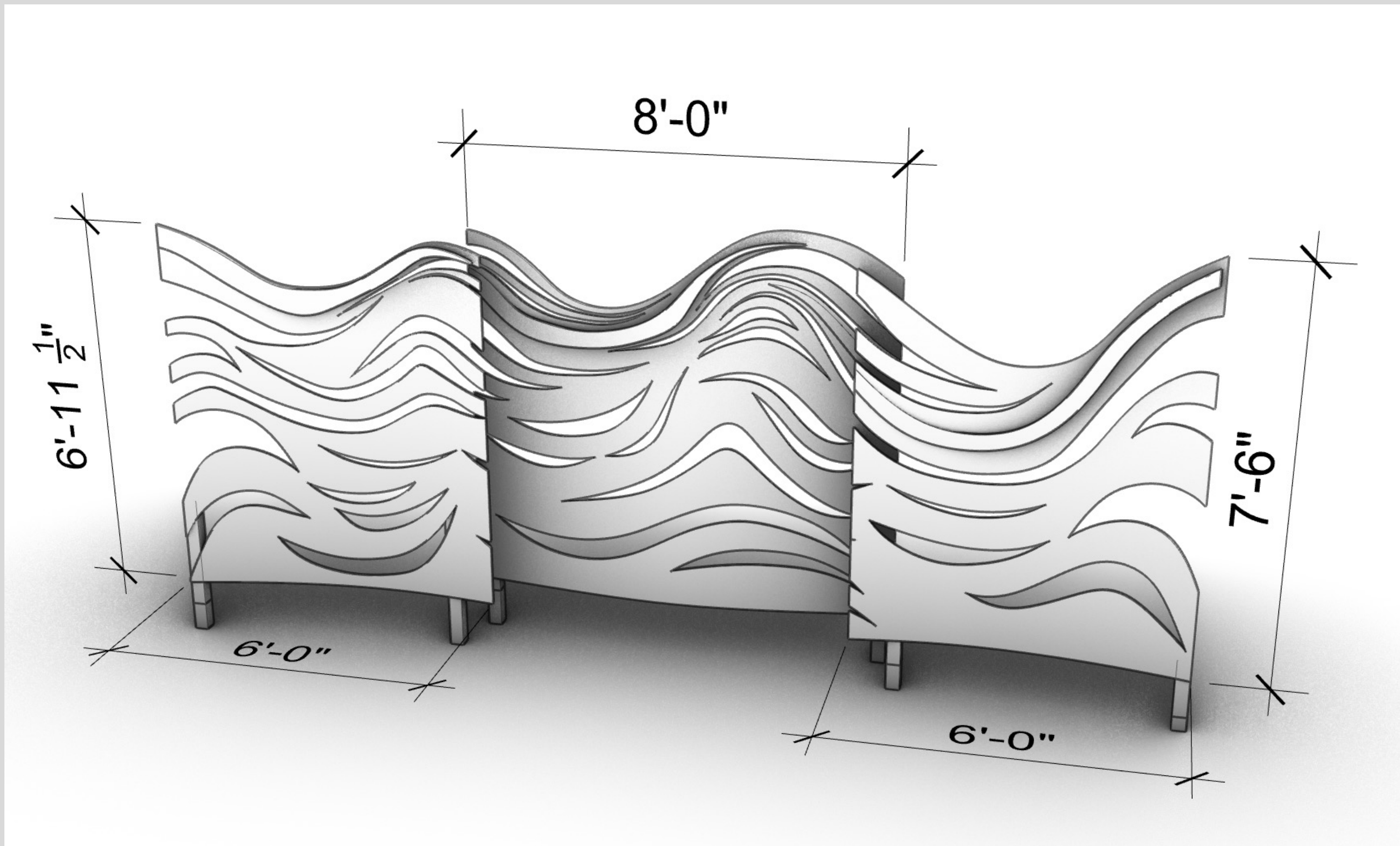
FORMED FOR

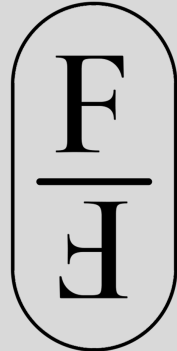
"Cortex Waves" is a profound symbol of connection and community. Crafted from the strength and resilience of Corten Steel, the sculpture's fluid, undulating form mirrors the ever-moving waves of the ocean, embodying the ebb and flow of human interactions. The waves represent the interconnectedness of individuals within a community, each wave blending seamlessly into the next, illustrating how we are all part of a larger whole.

This piece serves as a reminder that, like the ocean's waves, our actions and relationships ripple outward, impacting those around us. Through its dynamic design and robust material, "Cortex Waves" emphasizes the enduring bonds that unite us, celebrating the power of unity and collective strength in forging a harmonious community.

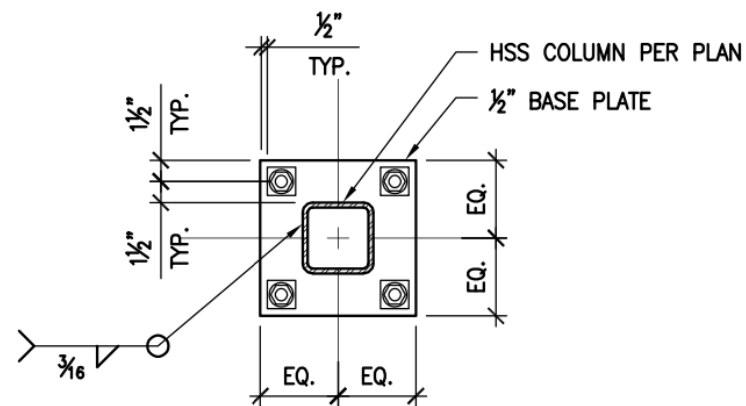


FORMED FOR

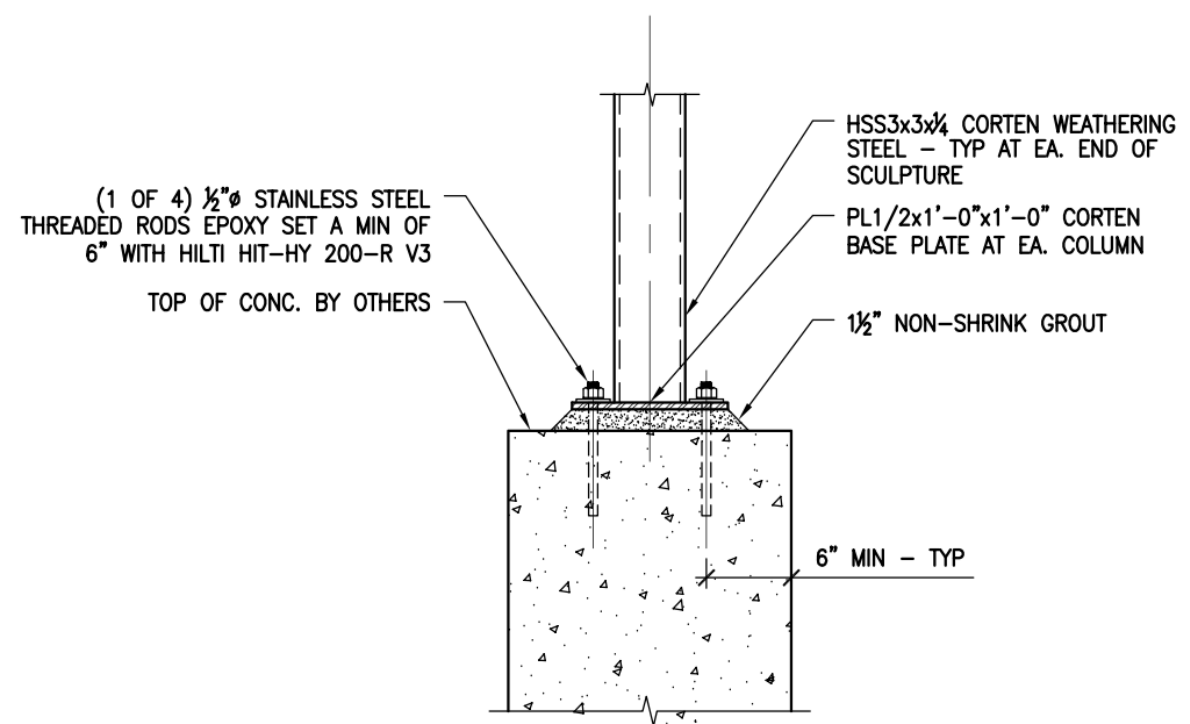




FORMED FOR



E: FOUR BOLT PATTERN

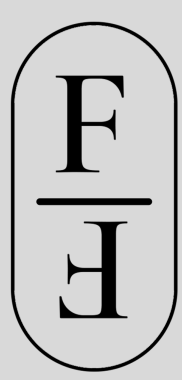


NOTE:
1/16 inch MAX. OVERSIZE HOLES IN BASE PLATE. 3/16 inch MAX. OR OVERSIZE HOLES IN BASE PLATE WITH 2"x2"x3/16 inch PLATE WASHERS WITH 1/16 inch OVERSIZE HOLES. WELD WASHERS TO BASE PLATE.

1

HSS COLUMN BASE PLATE CONNECTION

3/4" = 1'-0"



FORMED FOR

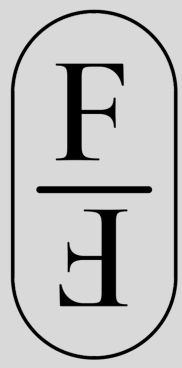


This sculpture is very easy to sand / prep and re-age into
The current finish which is an aged Corten Steel

Uplighting needed in the landscaping –provided by others

"Cortex Waves" is a profound symbol of connection and community. Crafted from the strength and resilience of Corten steel, the sculpture's fluid, undulating form mirrors the ever-moving waves of the ocean, embodying the ebb and flow of human interactions. The waves represent the interconnectedness of individuals within a community, each wave blending seamlessly into the next, illustrating how we are all part of a larger whole.

This piece serves as a reminder that, like the ocean's waves, our actions and relationships ripple outward, impacting those around us. Through its dynamic design and robust material, "Cortex Waves" emphasizes the enduring bonds that unite us, celebrating the power of unity and collective strength in forging a harmonious community.



FORMED FOR

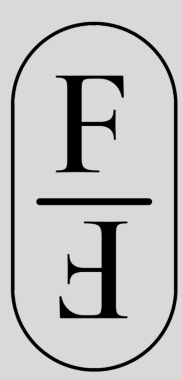


This sculpture is a little more complicated to fix after graffiti.

LED lights can be added into the top trim

"Cortex Waves" is a profound symbol of connection and community. Crafted from the strength and resilience of Corten steel, the sculpture's fluid, undulating form mirrors the ever-moving waves of the ocean, embodying the ebb and flow of human interactions. The waves represent the interconnectedness of individuals within a community, each wave blending seamlessly into the next, illustrating how we are all part of a larger whole.

This piece serves as a reminder that, like the ocean's waves, our actions and relationships ripple outward, impacting those around us. Through its dynamic design and robust material, "Cortex Waves" emphasizes the enduring bonds that unite us, celebrating the power of unity and collective strength in forging a harmonious community.



FORMED FOR



This sculpture with mesh incorporated looks good but Very difficult to remove graffiti.

LED lights can be added into the top trim

"Cortex Waves" is a profound symbol of connection and community. Crafted from the strength and resilience of Corten steel, the sculpture's fluid, undulating form mirrors the ever-moving waves of the ocean, embodying the ebb and flow of human interactions. The waves represent the interconnectedness of individuals within a community, each wave blending seamlessly into the next, illustrating how we are all part of a larger whole.

This piece serves as a reminder that, like the ocean's waves, our actions and relationships ripple outward, impacting those around us. Through its dynamic design and robust material, "Cortex Waves" emphasizes the enduring bonds that unite us, celebrating the power of unity and collective strength in forging a harmonious community.